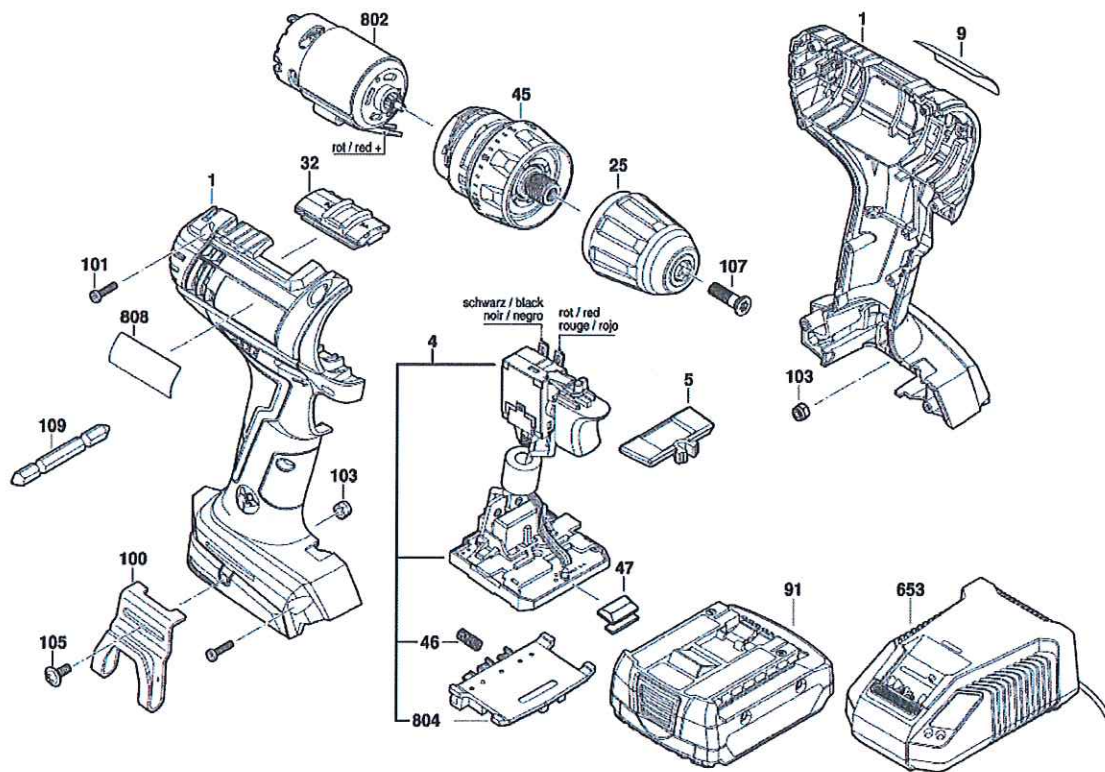


5700 504 2 119801D BS 18 A Light Bty. Drill/Screwdr.



Repairs may be carried out by authorized Würth service shops only

Parts list				
Pos.	Article No.	Designation	Qty	Unit
0001	5800 404 001	Housing	1	ST
0004	5800 504 001	Electronic Element	1	ST
0005	5800 404 003	Gear shift	1	ST
0009	5800 404 004	Data Plate	1	ST
0025	5800 404 005	Quick clamping drill chuck	1	ST
0032	5800 404 006	Switch	1	ST
0045	5800 404 007	Gear Box	1	ST
0046	0706 614 010	Pressure Spring	1	ST
0047	5800 400 006	Lens	1	ST
0100	5800 400 008	Clamp	1	ST
0101	0706 632 010	Screw	8	ST
0103	0706 624 008	Nut	2	ST
0105	0706 624 009	Screw	1	ST
0107	0706 678 019	Screw	1	ST
0109	5800 404 010	Type Plate	1	ST
0802	5800 404 009	Motor	1	ST
0804	0706 624 012	Connection block	1	ST
0808	5800 504 002	Type Plate	1	ST